

# ClickLock

ISC

Security Seals

**ClickLock** is moulded in strong polycarbonate plastic with two sets of locking arrows for enhanced locking security. This seal has been developed primarily for meter sealing, but it can also be used effectively for a wide range of application.

## APPLICATIONS

- Various type of utility meters
- Telecommunication
- Taxi meters
- Petroleum (LPG)

## FEATURES

- Moulded in polycarbonate with two sets of locking arrows
- Polycarbonate material in transparent colours
- Easily sealed
- Longer cable / wire length available

## BENEFITS

- Strong body casing with enhanced locking engagement
- Sealing mechanism can be viewed and inspected
- No pliers required to engage this seal, thus reducing cost
- Suitable for applications requiring longer wire loops

## SPECIFICATIONS

### Material

Polycarbonate

### Print

Laser Print Name/logo and serial number

### Colour

6 standard colours:

- Red, Yellow, Blue, Green, White, Orange
- Other colours can be supplied on request

### Temperature

-20°C to 110°C

### Packaging

ClickLock (with wire) - 2500pcs/carton

ClickLock (without wire) - 4000pcs/carton



INDICATIVE SEALS



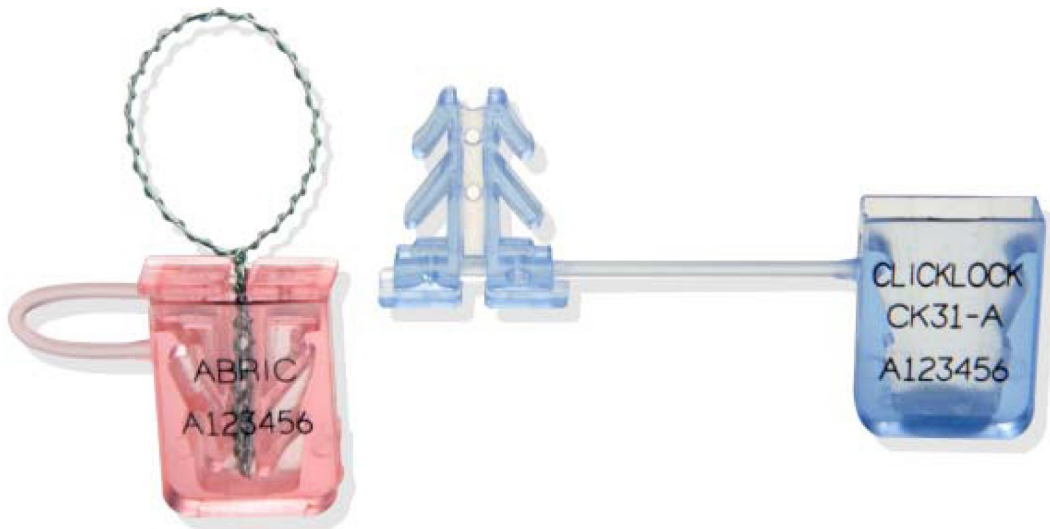
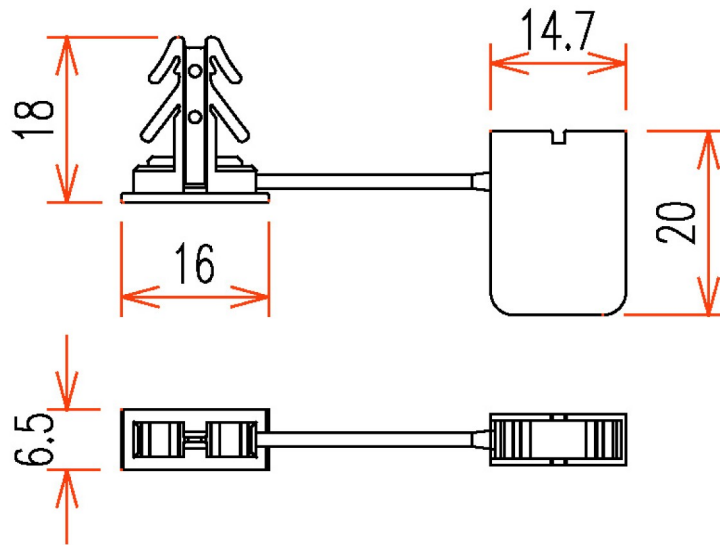
PRODUCT INFORMATION

# ClickLock

ISC

## DIMENSIONS

Security Seals



INDICATIVE SEALS

PRODUCT INFORMATION

## ISC Security Products

Jhr. Mockkade 27 • 2181 AL HILLEGOM

T. +31 252 750480 • E. [info@security-seals.global](mailto:info@security-seals.global) • W. [www.security-seals.global](http://www.security-seals.global)